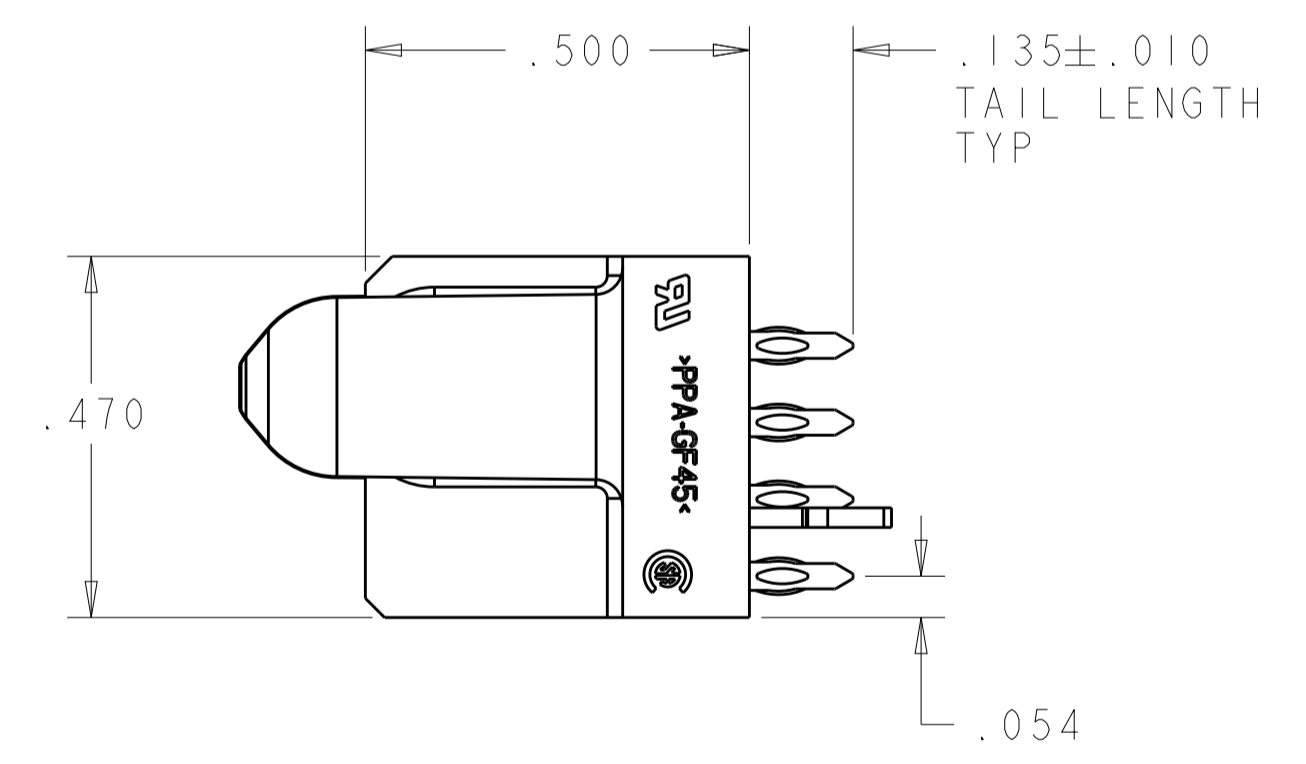
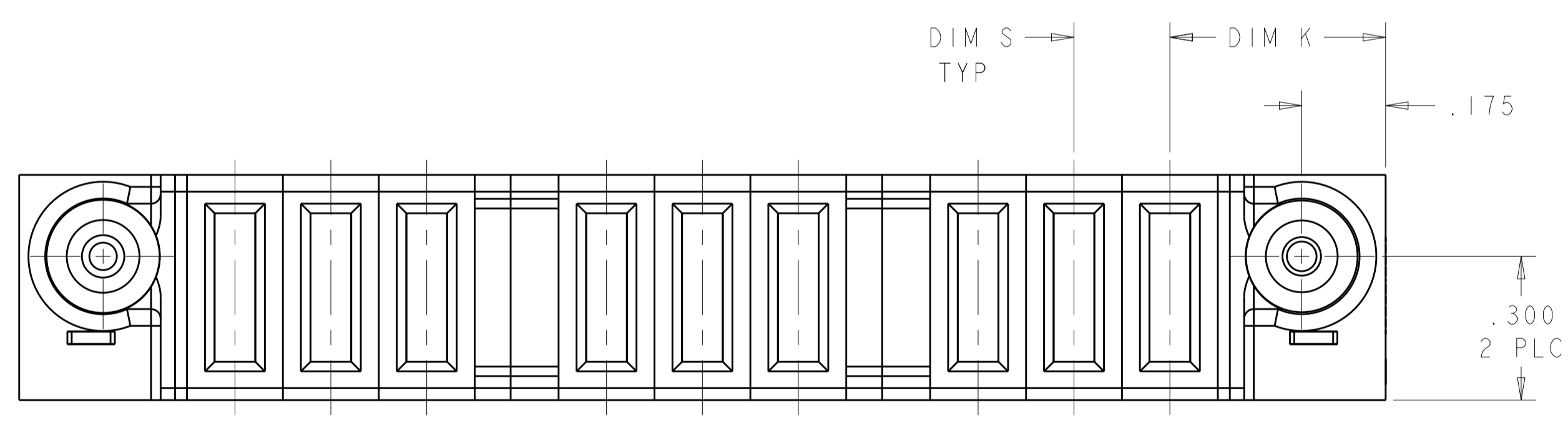
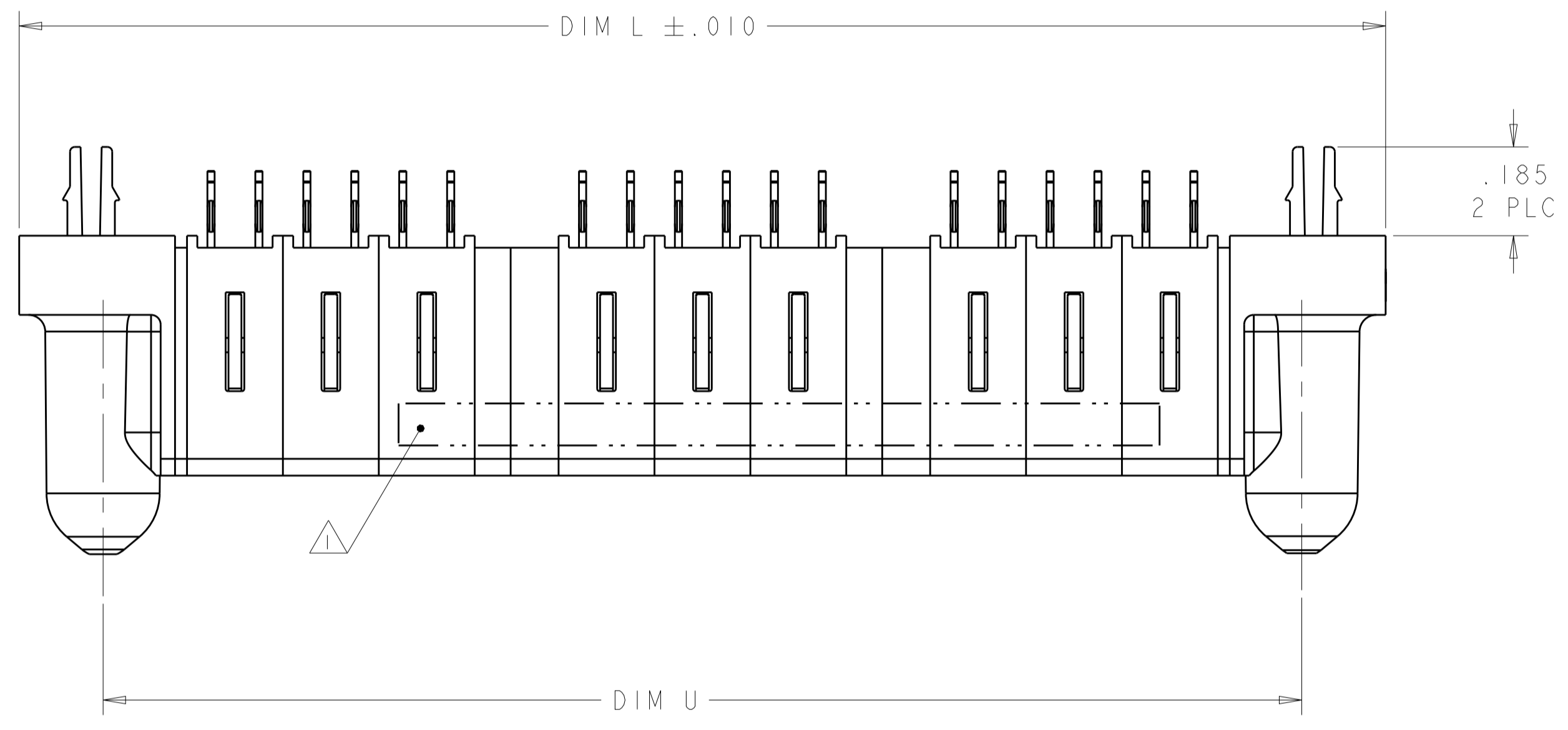
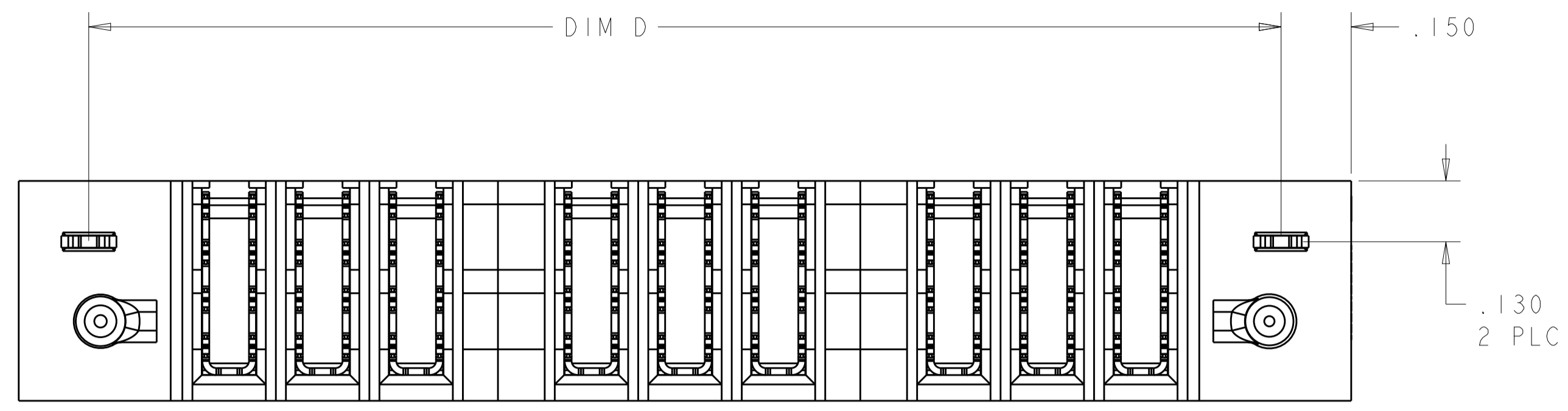


LOC	DIST	REVISIONS			
P	LTN	DESCRIPTION	DATE	DWN	APVD
D2		REV PER ECR-08-020230	13AUG2008	VQ	SY
D3		ADD NEW DASH NUMBER -7	2APR2009	OL	SY
D4		ADD NEW DASH NUMBER -8,-9	5MAR2009	OL	SY
D5		REV PER ECR-09-012325	31MAY2009	OL	SY



- ⚠ "AMP", PART NUMBER, AND DATE CODE TO BE MARKED IN AREA SHOWN, FAR SIDE PARTS UNDER 2.00 LONG MAY BE MARKED ON BOTH SIDES
- ⚠ MATERIAL: HOUSING - GLASS FILLED HIGH TEMP THERMO PLASTIC, UL94 V-0  
 SIGNAL CONTACT - HIGH CONDUCTIVITY COPPER ALLOY  
 POWER CONTACT - HIGH CONDUCTIVITY COPPER ALLOY
- ⚠ CONTACT PLATING: NOBLE METAL PLATING ON CONTACT FUNCTIONAL AREA OF POWER AND SIGNAL CONTACTS
- ⚠ MECHANICAL CONNECTOR KEEP OUT ZONE
- ⚠ DATUM AND BASIC DIMENSIONS ESTABLISHED BY CUSTOMER
- ⚠ PCB - ALL HOLE DIAMETERS ARE FINISHED HOLE SIZES
- ⚠ PCB - .0453 +/- .0010 DRILLED HOLES PLATED WITH .0003 MIN Sn OVER .001 TO .003 PLATING TO ACHIEVE A .040 DIA HOLE
- ⚠ VARIABLE DIMENSIONS SHOWN ON VIEW (SHEET 2).

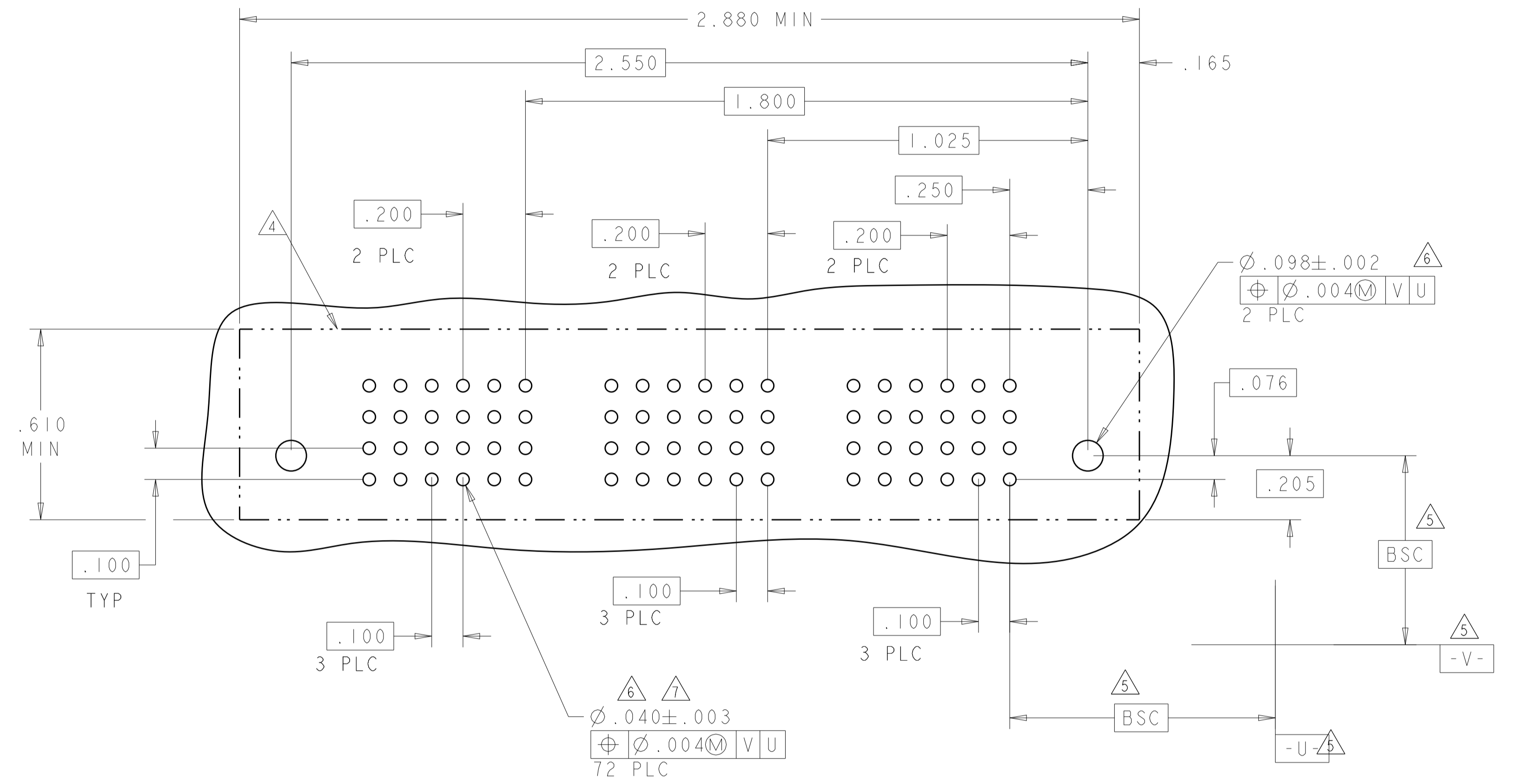
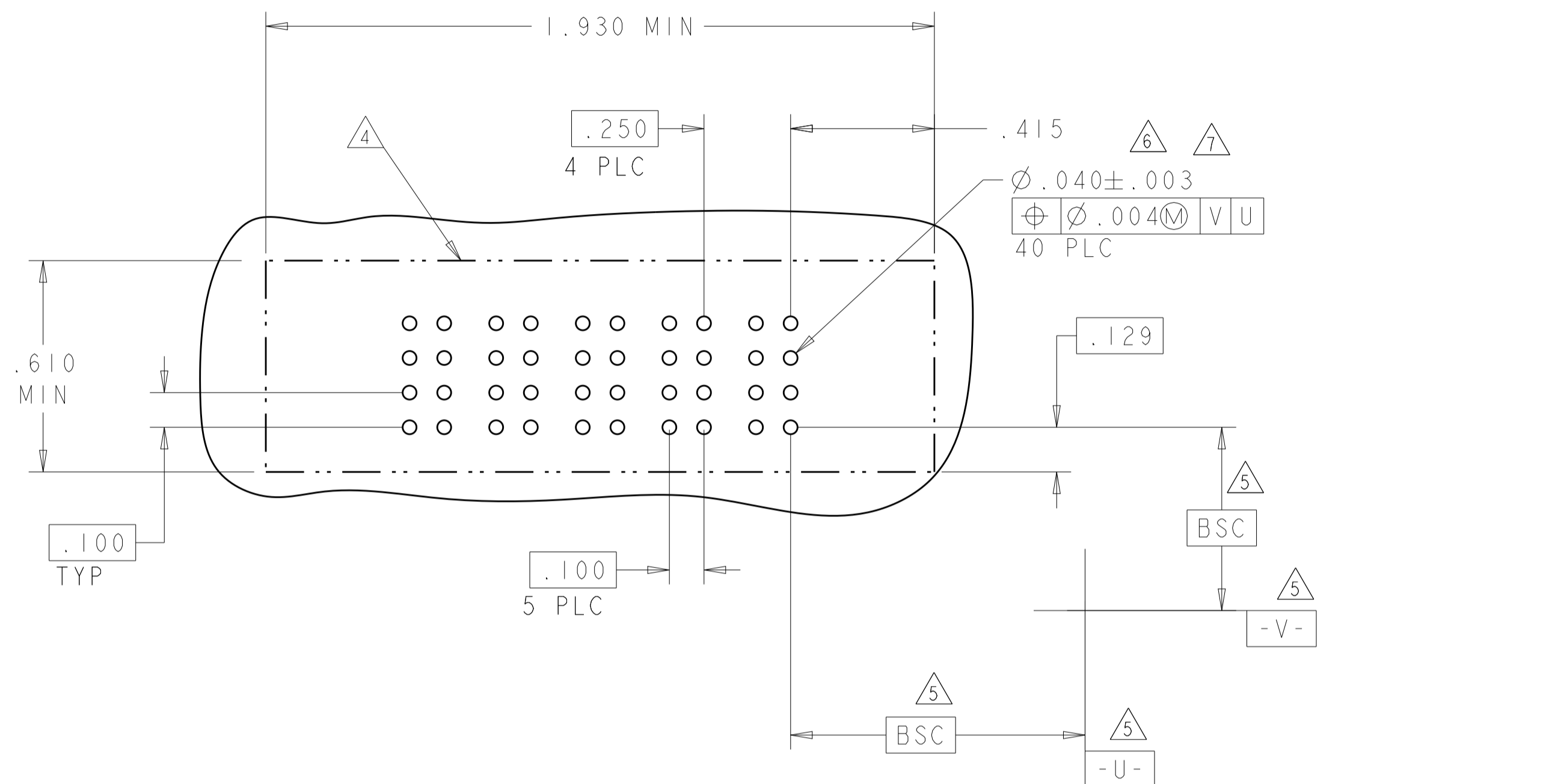
1.800	1.750	.300	2.100	.450	5ACP	6450553-9
2.100	2.050	.300	2.400	.450	6ACP	6450553-8
1.850	1.800	.250	2.150	.450	6P	6450553-7
1.250	1.200	.300	1.550	.475	3ACP	6450553-6
2.150	2.100	.300	2.450	.475	6ACP	6450553-5
2.550	2.500	⚠	2.850	.450	9P	6450553-4
-	1.700	⚠	2.050	.425	6P	6450553-2
-	1.550	.250	1.900	.450	5P	6450553-1
DIM D	DIM U	DIM S	DIM L	DIM K	DESCRIPTION	PART NUMBER

DIMENSIONS: INCHES 		TOLERANCES UNLESS OTHERWISE SPECIFIED: 0 PLC ±. 1 PLC ±.01 2 PLC ±.01 3 PLC ±.005 4 PLC ±.0020 ANGLES ±.7°		DWN R. GRZYBOWSKI 13APR05 CHK M. PERCHERKE 13APR05 APVD M. PERCHERKE NAME PRODUCT SPEC 108-1973 APPLICATION SPEC 114-13038 WEIGHT CUSTOMER DRAWING		Tyco Electronics Shanghai, P.R. China, 200233 NAME VERTICAL RECEPTACLE ASSEMBLY WITH GUIDES, PRESS FIT MULTI-BEAM XL SIZE CAGE CODE DRAWING NO RESTRICTED TO A1 00779 C=6450553 SCALE 4:1 SHEET 1 OF 5 REV D6	
---------------------------	--	--	--	---	--	---	--

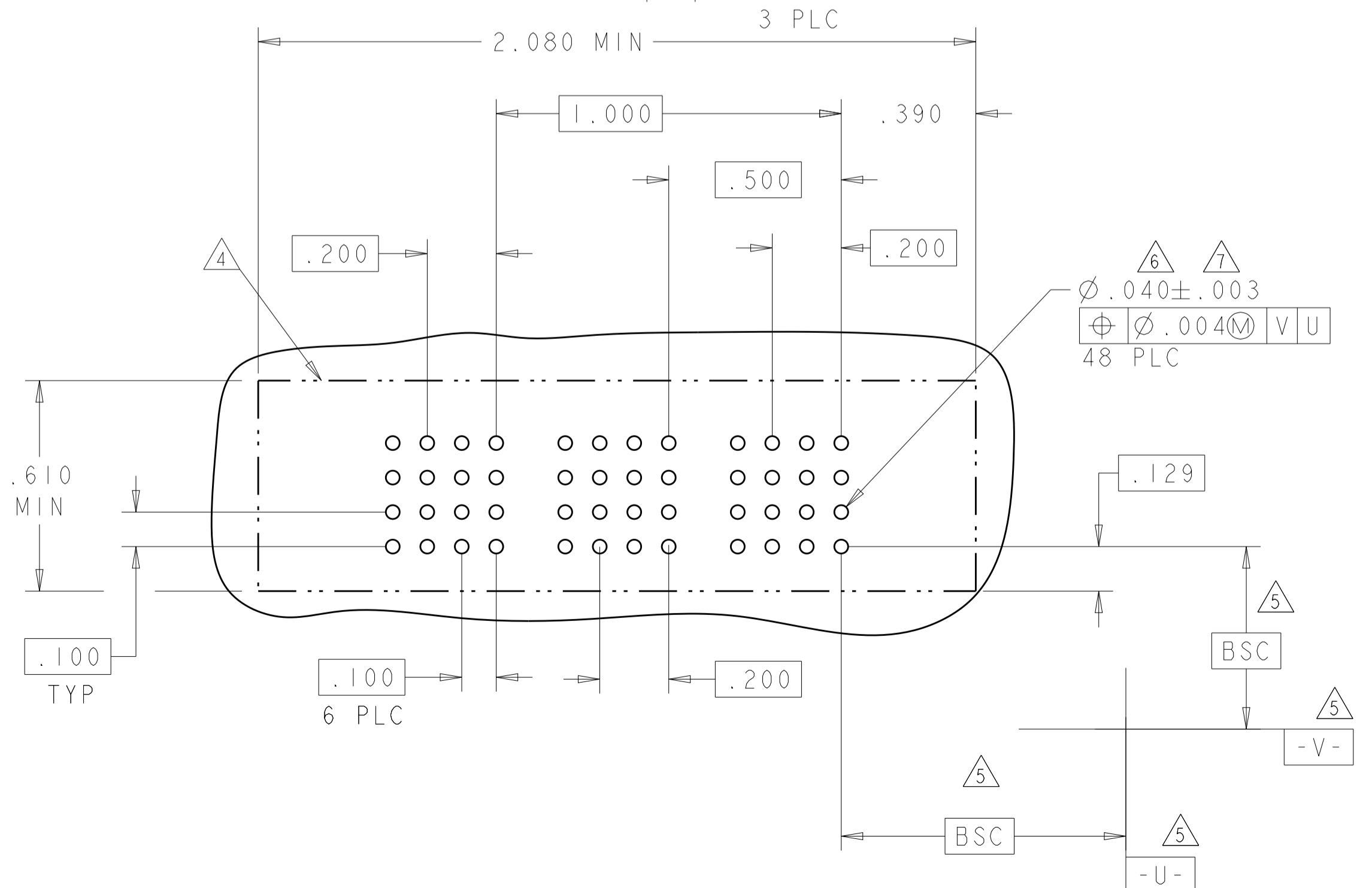
LOC	DIST	REVISIONS			
P	LTN	DESCRIPTION	DATE	OWN	APVD
GP	00	SEE SHEET 1			

PART NUMBER	ROWS	POWER				
		P5	P4	P3	P2	P1
6450553-1	D C B A	GS	GP	GP	GP	GS
5P						

PART NUMBER	ROWS	POWER								
		P9	P8	P7	P6	P5	P4	P3	P2	P1
6450553-4	D C B A	GP	GS	GS	GP	GS	GS	GP	GS	GS
9P										



PART NUMBER	ROWS	POWER					
		P6	P5	P4	P3	P2	P1
6450553-2	D C B A	GP	GP	GS	GS	GS	GS
6P							



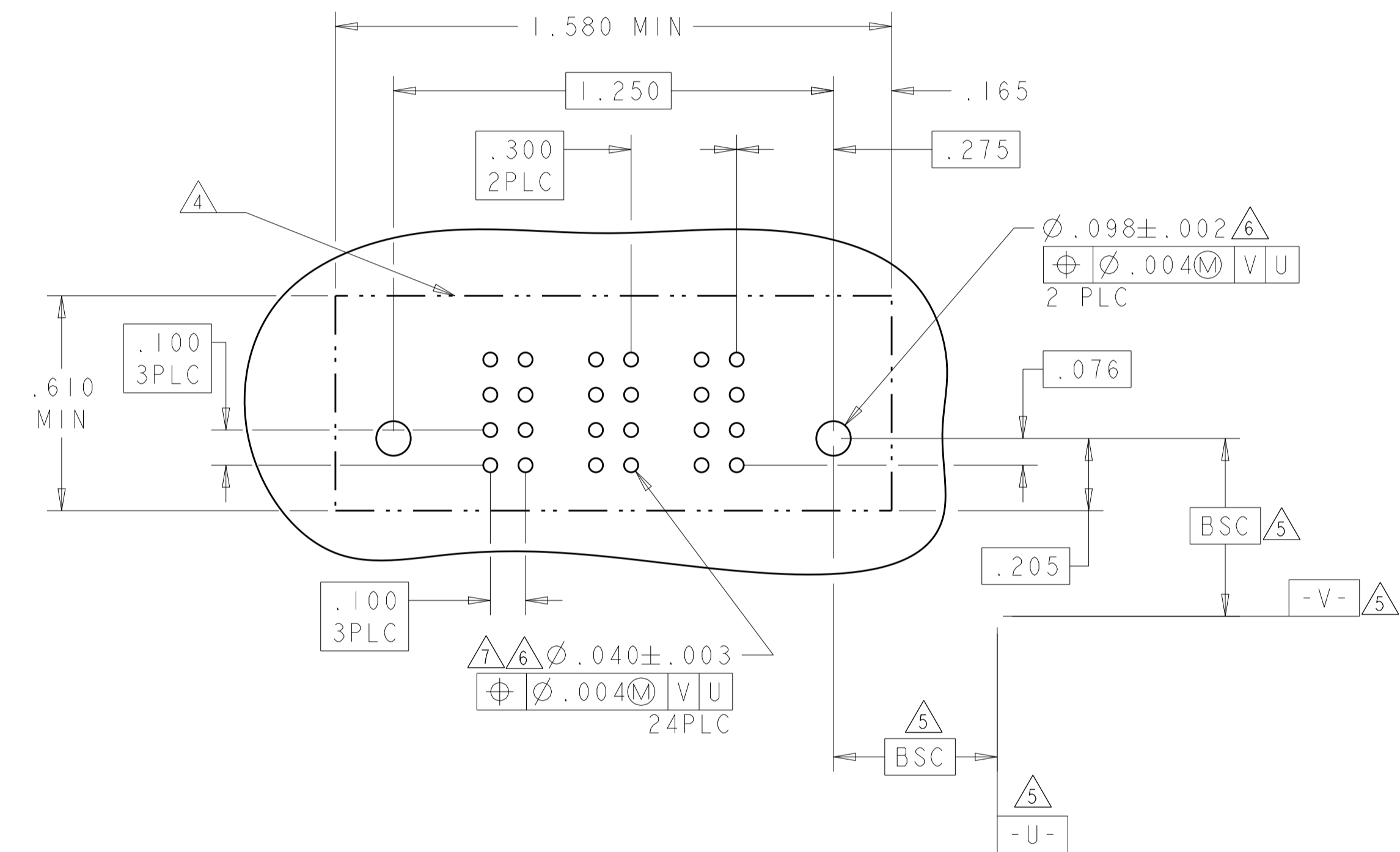
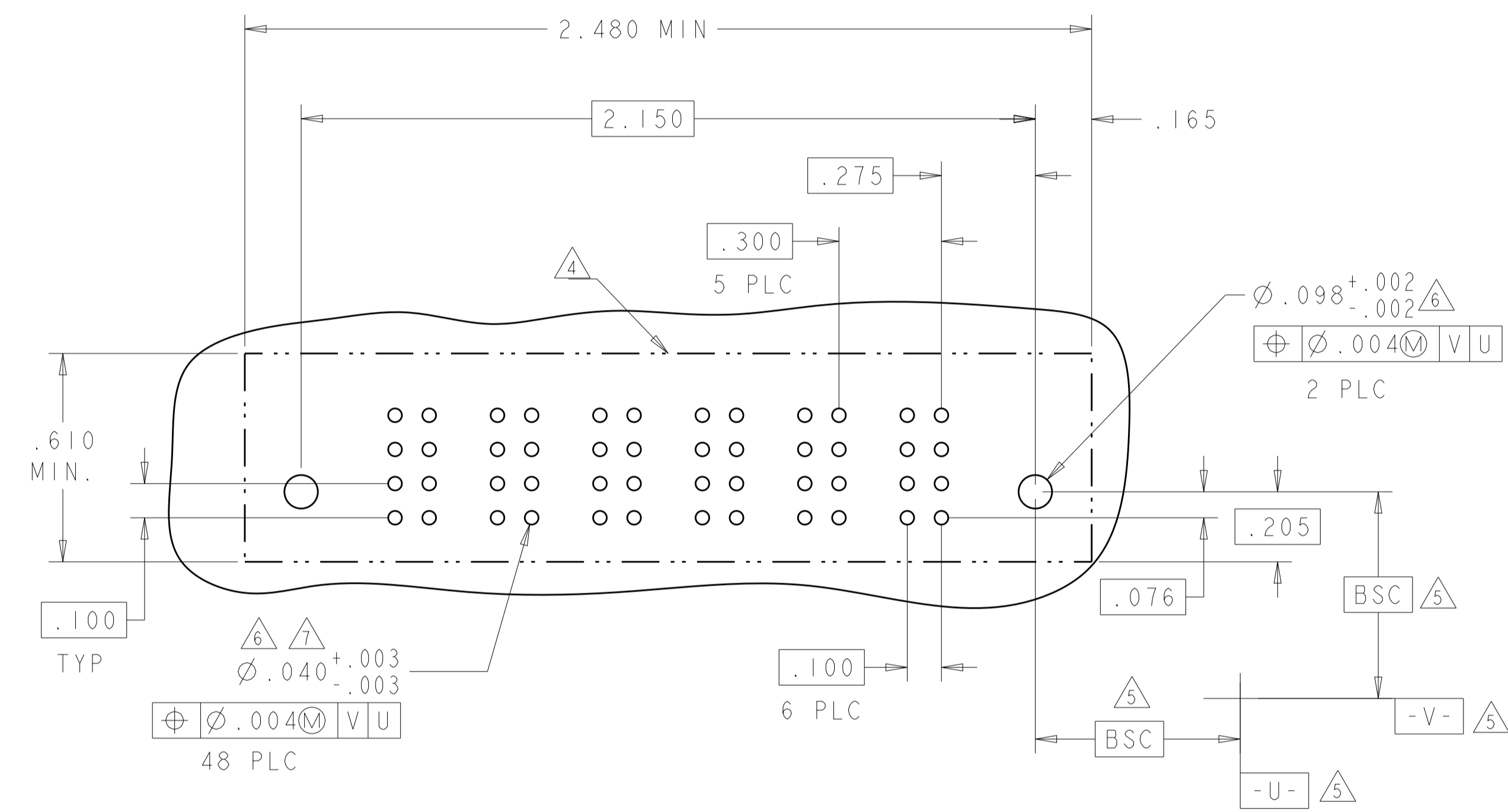
GS	STD. POWER CONTACT
GP	MFBL POWER CONTACT
CODE	DESCRIPTION
CONTACT TABLE	
OWN: R. GRZYBOWSKI	13APR05
CHK: M. PERCHERKE	13APR05
APVD: M. PERCHERKE	
PRODUCT SPEC	108-1973
APPLICATION SPEC	114-13038
WEIGHT	
CAGE CODE	00779
DRAWING NO	6450553
RESTRICTED TO	
CUSTOMER DRAWING	
SCALE	4:1
SHEET	2 OF 5
REV	D6

DIMENSIONS:	TOLERANCES UNLESS OTHERWISE SPECIFIED:
INCHES	0 PLC ± .01
	1 PLC ± .01
	2 PLC ± .01
	3 PLC ± .005
	4 PLC ± .002
ANGLES	± .020
MATERIAL	FINISH

LOC	DIST	REV	DATE	BY	APPD
GP	00				
REVISIONS			DESCRIPTION	DATE	BY
			SEE SHEET 1		

PART NUMBER	ROWS	POWER					
		P6	P5	P4	P3	P2	P1
6450553-5	D C B A	GS	GP	GS	GS	GP	GS
6ACP		HD					HD

PART NUMBER	ROWS	POWER		
		P3	P2	P1
6450553-6	D C B A	GS	GP	GS
3ACP		HD		HD



DIMENSIONS: INCHES 		TOLERANCES UNLESS OTHERWISE SPECIFIED: 0 PLC ±. 1 PLC ±.01 2 PLC ±.01 3 PLC ±.005 4 PLC ±.0020 ANGLES ±.2° FINISH		DWN R. GRZYBOWSKI 13APR05 CHK M. PERCHERKE 13APR05 APVD M. PERCHERKE NAME PRODUCT SPEC 108-1973 APPLICATION SPEC 114-13038 WEIGHT CUSTOMER DRAWING		Tyco Electronics Shanghai, P.R.China, 200233 VERTICAL RECEPTACLE ASSEMBLY WITH GUIDES, PRESS FIT MULTI-BEAM XL SIZE CAGE CODE DRAWING NO RESTRICTED TO A1 00779 C=6450553 SCALE 4:1 SHEET 3 OF 5 REV D6	
---------------------------	--	--	--	--	--	--	--

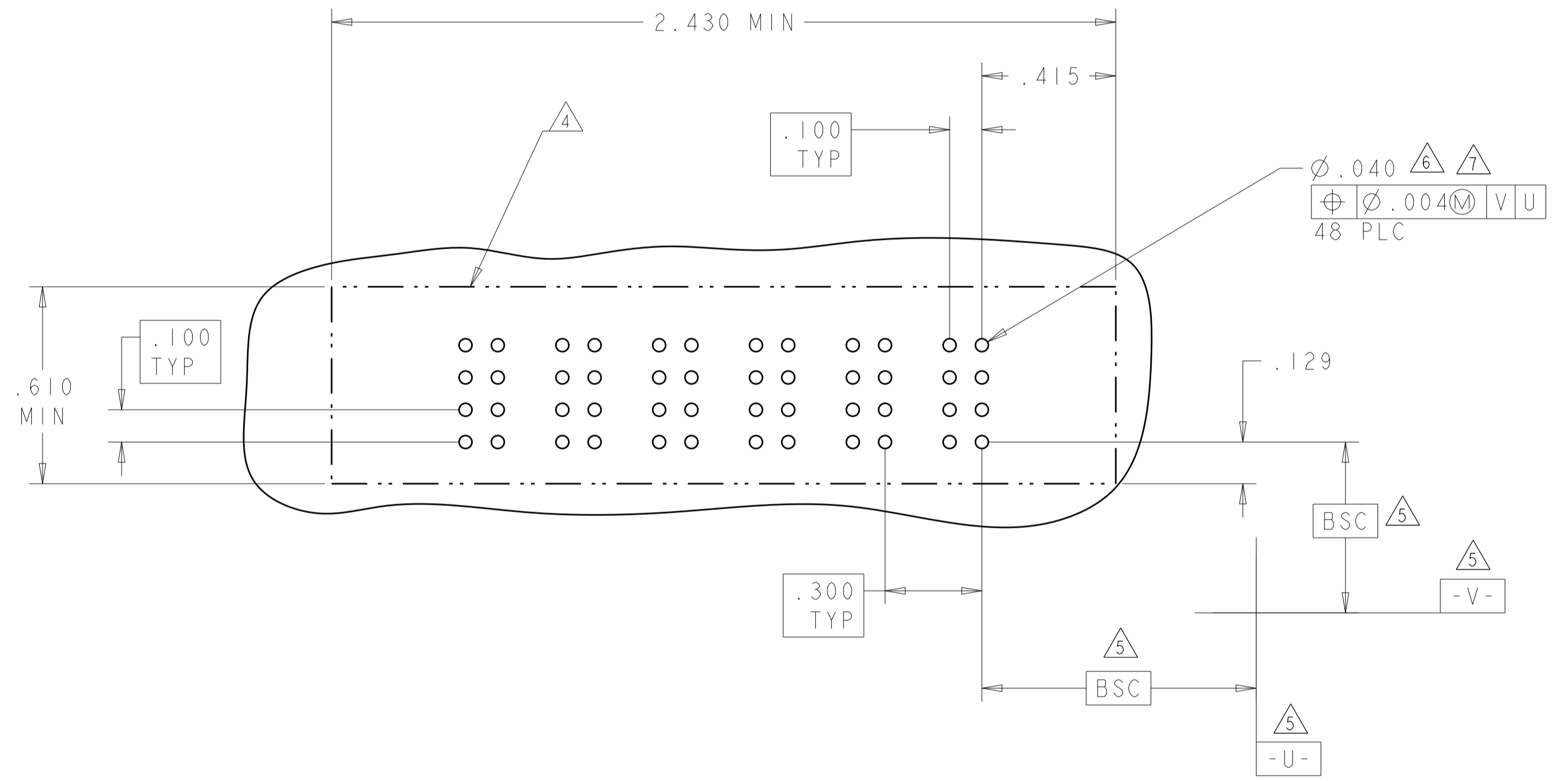
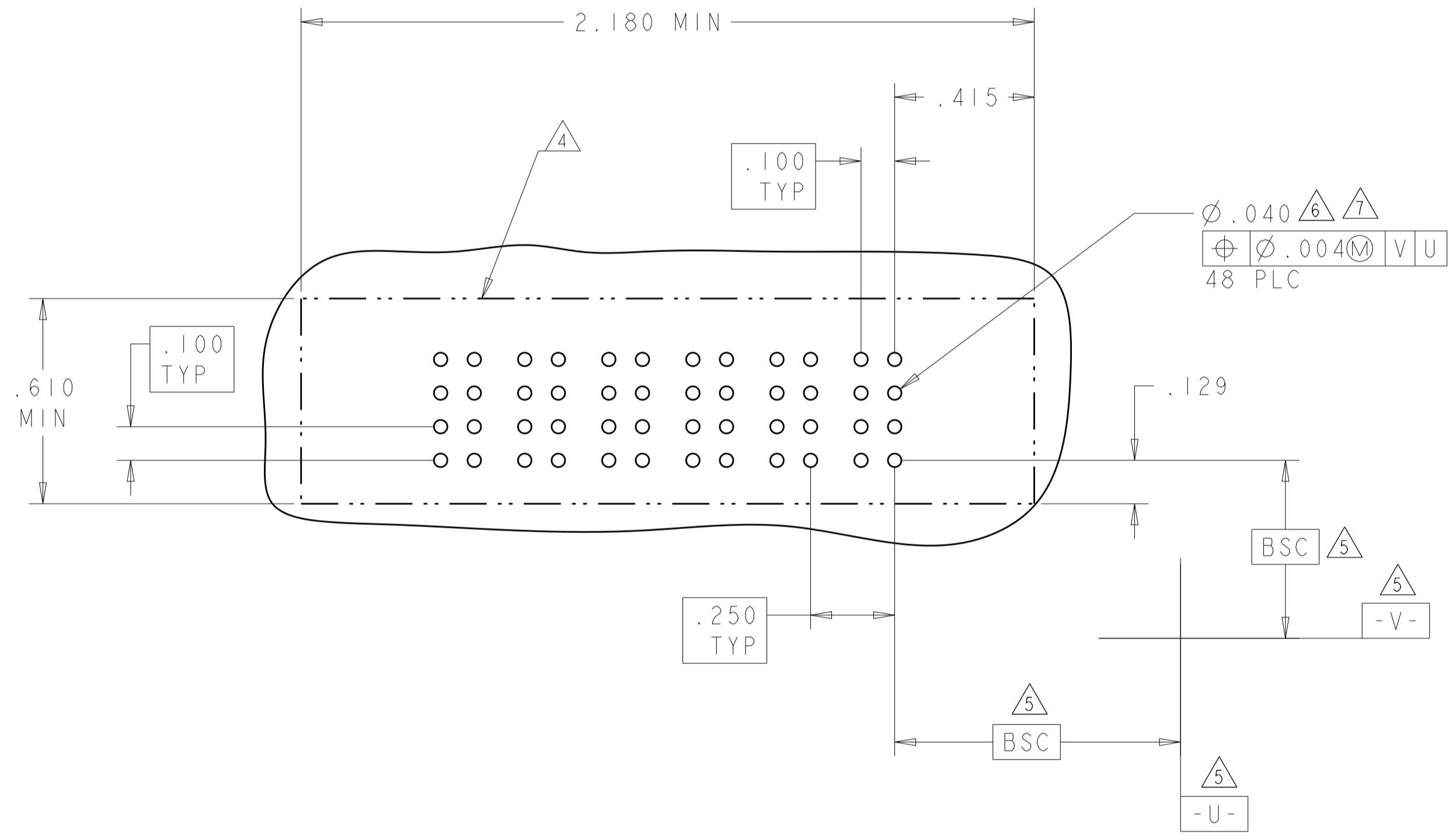
LOC	DIST	REVISIONS			
P	LTN	DESCRIPTION	DATE	OWN	APVD
-	-	SEE SHEET 1	-	-	-

PART NUMBER	ROWS	POWER					
		P6	P5	P4	P3	P2	P1
6450553-7	D C B A	GS	GS	GS	GS	GS	GP
6P							

NO CONTACTS LOADED

PART NUMBER	ROWS	POWER					
		P6	P5	P4	P3	P2	P1
6450553-8	D C B A	GS	GS	GS	GS	GS	GP
6ACP							

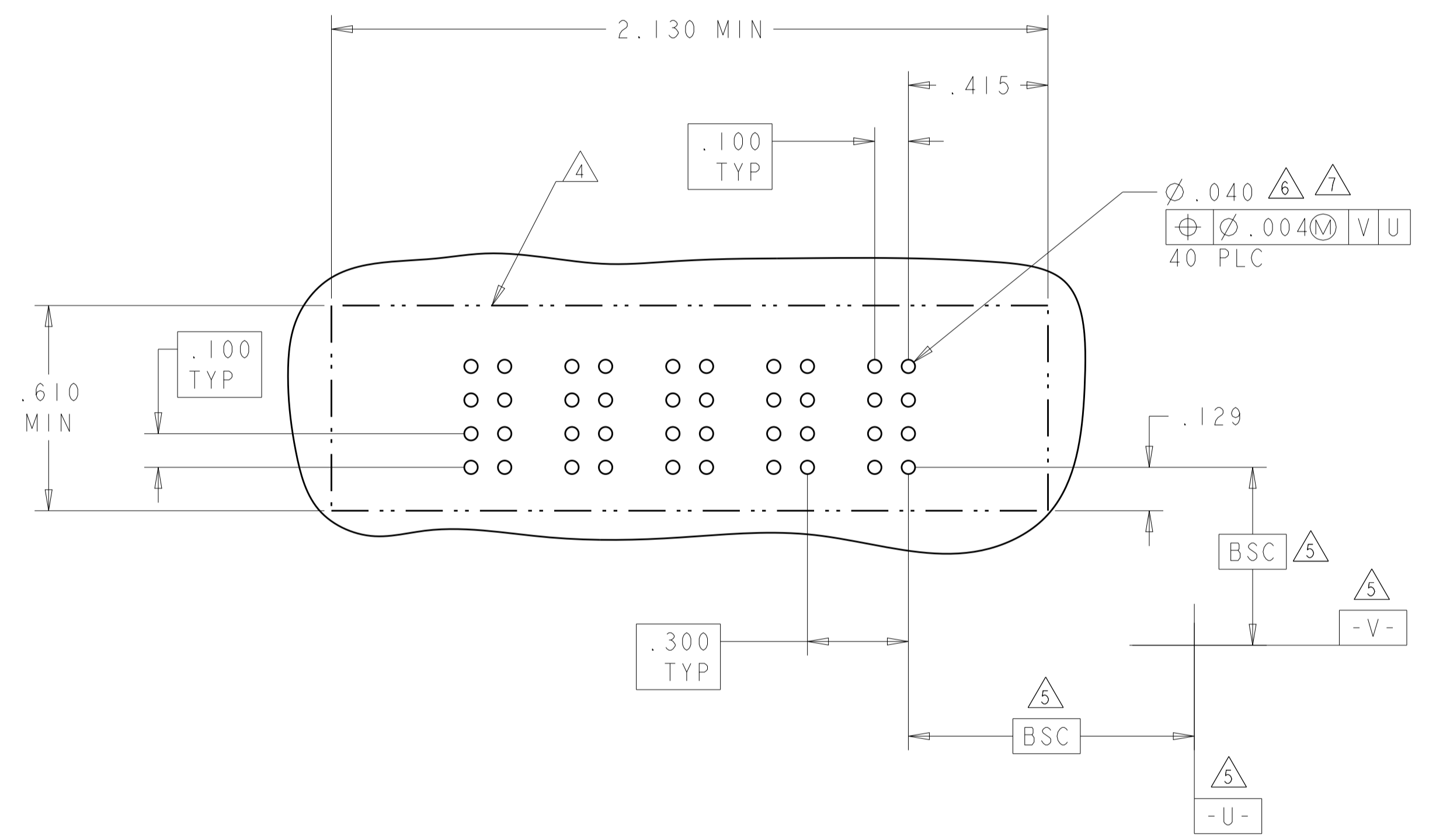
NO CONTACTS LOADED



<small>THIS DRAWING IS UNPUBLISHED. RELEASED FOR PUBLICATION. IT IS THE POLICY OF TYCO ELECTRONICS CORPORATION TO CONTROL THE DISTRIBUTION OF THIS DRAWING. ANY UNAUTHORIZED REPRODUCTION OR DISSEMINATION OF THIS DRAWING IS STRICTLY PROHIBITED. CONTACT TYCO ELECTRONICS CORPORATION FOR MORE INFORMATION.</small>		DWN: R. GRZYBOWSKI 13APR05 CHK: M. PERCHERKE 13APR05 APVD: M. PERCHERKE	Tyco Electronics Shanghai, P.R. China, 200233
DIMENSIONS: INCHES 	TOLERANCES UNLESS OTHERWISE SPECIFIED: 0 PLC ±. 1 PLC ±.01 2 PLC ±.01 3 PLC ±.005 4 PLC ±.0020 ANGLES ±.2° FINISH	NAME: VERTICAL RECEPTACLE ASSEMBLY WITH GUIDES, PRESS FIT MULTI-BEAM XL PRODUCT SPEC: 108-1973 APPLICATION SPEC: 114-13038 WEIGHT: - CUSTOMER DRAWING	SIZE: A1 CAGE CODE: 00779 DRAWING NO: 6450553 SCALE: 4:1 SHEET: 4 OF 5 REV: D6

LOC	DIST	REVISIONS			
P	LTN	DESCRIPTION	DATE	DMN	APVD
GP	00	SEE SHEET 1	-	-	-

PART NUMBER	ROWS	POWER				
		P5	P4	P3	P2	P1
6450553-9	D C B A	GS	GS	GS	GS	GP
5ACP						



<small>THIS DRAWING IS UNPUBLISHED. RELEASED FOR PUBLICATION. IT IS THE PROPERTY OF TYCO ELECTRONICS CORPORATION. IT IS SUBJECT TO CHANGE AND WITHOUT WARRANTY OF MERCHANTABILITY. SHOULD BE CONTACTED FOR THE LATEST REVISION.</small>		DWN: R. GRZYBOWSKI 13APR05 CHK: M. PERCHERKE 13APR05 APVD: M. PERCHERKE	Tyco Electronics Shanghai, P.R.China, 200233
DIMENSIONS: INCHES	TOLERANCES UNLESS OTHERWISE SPECIFIED: 0 PLC ±. 1 PLC ±.01 2 PLC ±.01 3 PLC ±.005 4 PLC ±.0020 ANGLES ±.2° FINISH	NAME: VERTICAL RECEPTACLE ASSEMBLY WITH GUIDES, PRESS FIT MULTI-BEAM XL PRODUCT SPEC: 108-1973 APPLICATION SPEC: 114-13038 WEIGHT: - CUSTOMER DRAWING	SIZE: A1 CAGE CODE: 00779 DRAWING NO: 6450553 SCALE: 4:1 SHEET: 5 OF 5 REV: D6